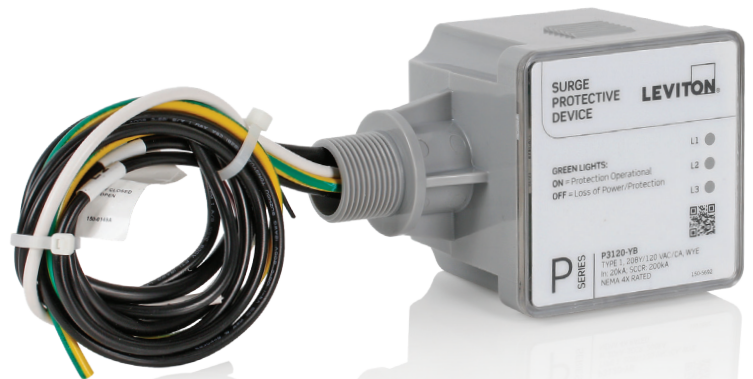


# P Series

## Surge Protective Device

Designed for **RESIDENTIAL AND LIGHT COMMERCIAL APPLICATIONS**, the P Series provides protection in single, split or three phase configurations.



### Features

- Maximum Surge Current Rating 25kA per Mode, 50kA per Phase
- UL 1449 Listed
- 20kA Nominal Discharge Current Rating ( $I_n$ )
- 200kA SCCR
- NEMA 4X

### Product Specifications

General Specifications	
Maximum Surge Current Rating	25kA per Mode, 50kA per Phase
UL 1449 Type Designation	Type 1
UL 1449 Nominal Discharge Current Rating ( $I_n$ )	20kA
UL 1449 Short Circuit Current Rating (SCCR)	200kA
Design Specifications	
Custom MOV design for High Energy Handling in IEEE Category C locations	
Thermally Protected MOVs	
External Parallel Connected for Mounting next to Electrical Gear	
Multi-mode protection	
Diagnostic & Status Monitoring Specifications	
LED Protection Status Monitoring	
Audible Alarm	
Form C Dry Contacts, 240V, 2A	
Phase Loss Monitoring	
Stacked MOV design for High Energy Handling	
Enclosure	
Polycarbonate	
NEMA 4X	
3/4 inch NPT Side Mount Nipple	
Filtering	
NO	

Physical Specifications	
Humidity Range	0-95% non-condensing
Operating Frequency	50-60Hz
Operating Temperature	-31°F (-35°C) to 185°F (+85°C)
Typical Connection	#12 AWG Type TEW

UL 1449 Performance Data						
System Voltage	Voltage Protection Rating (VPR)				Maximum Continuous Operating Voltage (MCOV)	
	L-N	L-G	N-G	L-L		
120/240 VAC/CA SPLIT PHASE	700V	1200V	600V	1200V	180V/360V*	
208Y/120 VAC/CA 3 PHASE WYE	600V	1000V	600V	1000V	150V/300V*	
480Y/277 VAC/CA 3 PHASE WYE	1200V	2500V	1000V	2000V	350V/700V*	

\*Second voltage refers to L-L rating

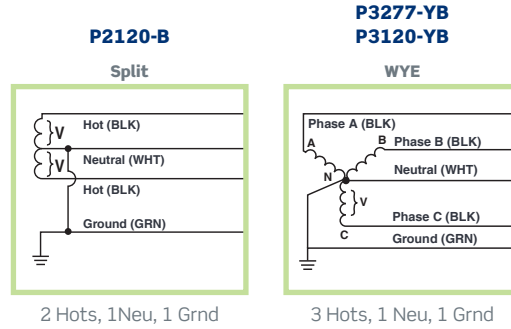
### Standards Compliance & Certifications

UL 1449 5th Edition: 2021, cULus, (UL File: VZCA.E317603), UL 96A Compliant, ANSI/IEEE C62.41.1-2002, C62.41.2-2002, C62.45-2002, NEC Article 285  
 ISO 9001:2014 Quality Management System, ISO 17025:2007 Laboratory Certification (UL DAP Program) Compliance with RoHS, REACH & California Prop 65  
 100% Quality Tested prior to shipping, Made in Greece

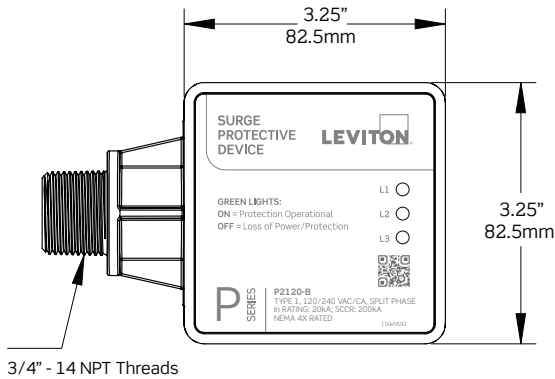
## Ordering Information

P2120-B	120/240 VAC/CA, SPLIT PHASE
P3120-YB	208Y/120 VAC/CA, THREE PHASE WYE
P3277-YB	480Y/277 VAC/CA, THREE PHASE WYE

## Wiring Configurations

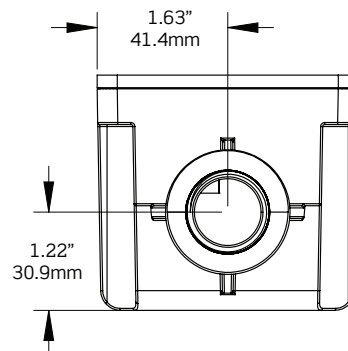
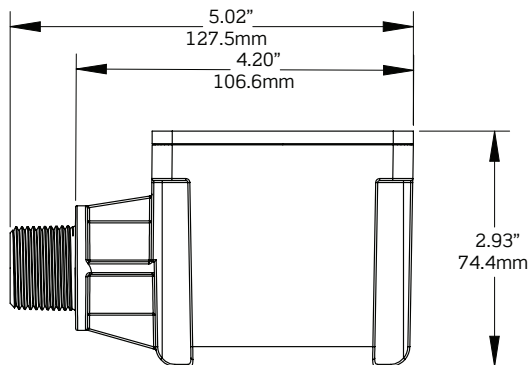


## Architectural Drawings (Dimensions)



### Size and Mechanical Specifications

Dimensions	5.02" x 2.93" x 3.25"
Enclosure Type	Polycarbonate NEMA 4X
Installation Type	Indoor / Outdoor



Visit our Website at:  
[www.leviton.com/surge](http://www.leviton.com/surge)  
 email: [commercial@leviton.com](mailto:commercial@leviton.com)

Q-1504

Leviton Manufacturing Co., Inc.  
 201 N Service Rd, Melville, NY 11747  
 Telephone: 1-800-323-8920 • FAX: 1-800-832-9538  
 Tech Line: 1-800-824-3005 (M-F 8AM-10PM; Sat 9AM-7PM; Sun 9AM-5PM)

© 2023 Leviton Manufacturing Co., Inc. All rights reserved.

102023

